

# 10-PLAYER SYSTEM

## Warranty

Your *Novel Electronic Designs* 10-Player Buzzer System has a one year warranty (parts and labor). All warranty service must be performed by NED.

## Service

NED's service is quick and economical.

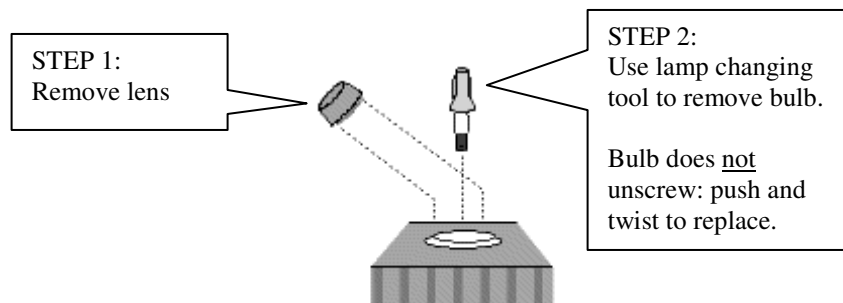
**Overhauls** – return your system to NED for complete inspection

**Repair** – return malfunctioning parts for repair or replacement

## Troubleshooting

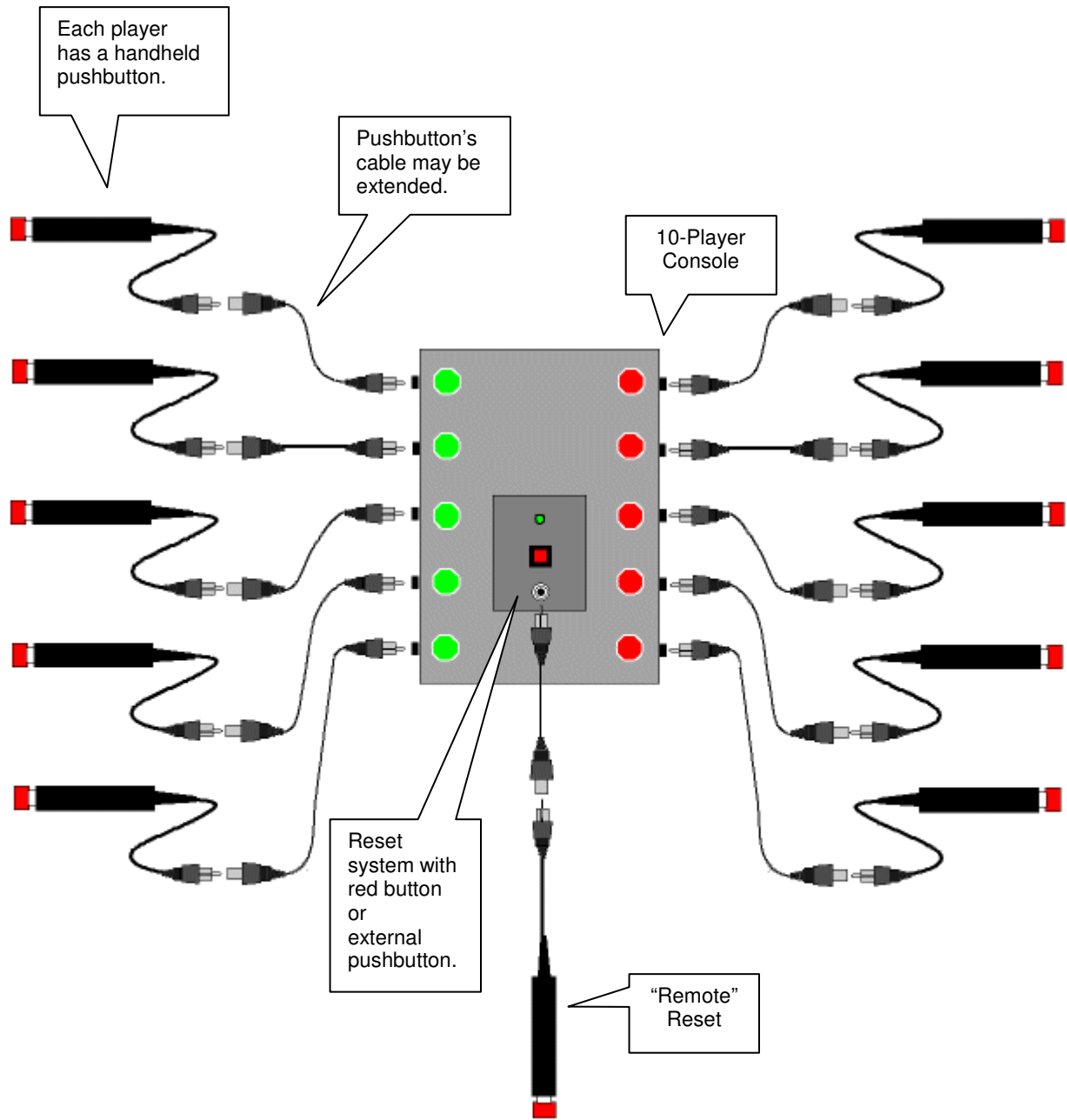
- Player doesn't buzz in:
  - Ensure connectors are pressed in firmly
  - Is cable or pushbutton broken? Try different cable.
- Console buzzes but light doesn't light up:
  - Replace light bulb (see below)
- Green LED on console doesn't light:
  - Confirm power pack is plugged into a live outlet
  - Ensure power connector is plugged firmly into console

## Light Bulb Replacement



Novel Electronic Designs, Inc.  
**BUZZERSYSTEMS.COM**

# Easy to Use!



**Novel Electronic Designs, Inc.**  
**BUZZERSYSTEMS.COM**

# The Multi-System Connection

## What is it?

Allows players on multiple buzzer systems to compete simultaneously. Connects two – *or more!* – systems, allowing a player to buzz in and lock out all players on all systems.

## What's Needed?

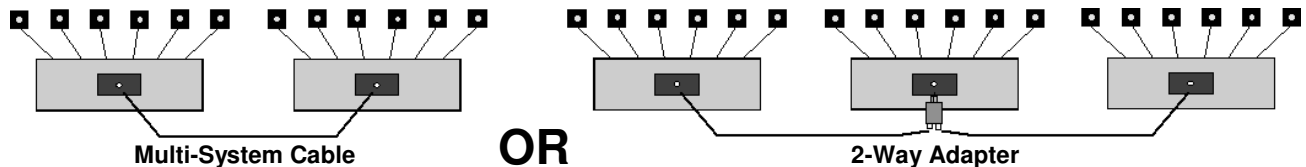
Interconnection cable(s) linking buzzer consoles. Up to ten systems may be linked; no limit on cable length. An adapter is needed when connecting 3 or more systems.



Each buzzer system's controller must have a MULTI-SYSTEM connection (older systems can be upgraded, please contact NED for details).

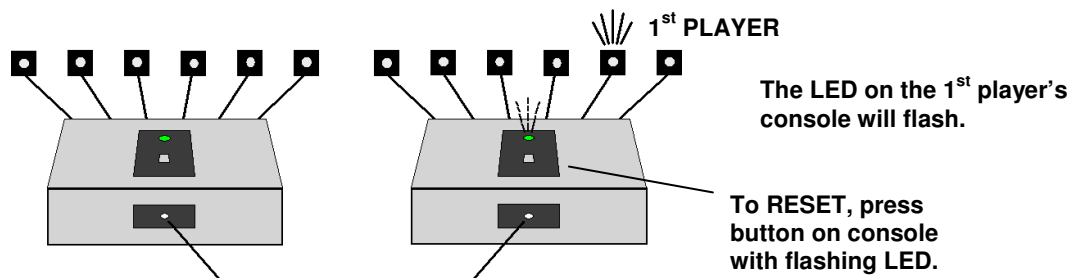
## Setup

1. Set up each buzzer system according to instructions.
2. Connect power to each buzzer system.
3. Connect a cable between each console's MULTI-SYSTEM jack.



## How to Use

When someone buzzes in, that player's light will come on and all other players – *on all systems* – will be locked out. Player's light will remain lit until system is reset.



**Novel Electronic Designs, Inc.**  
**BUZZERSYSTEMS.COM**